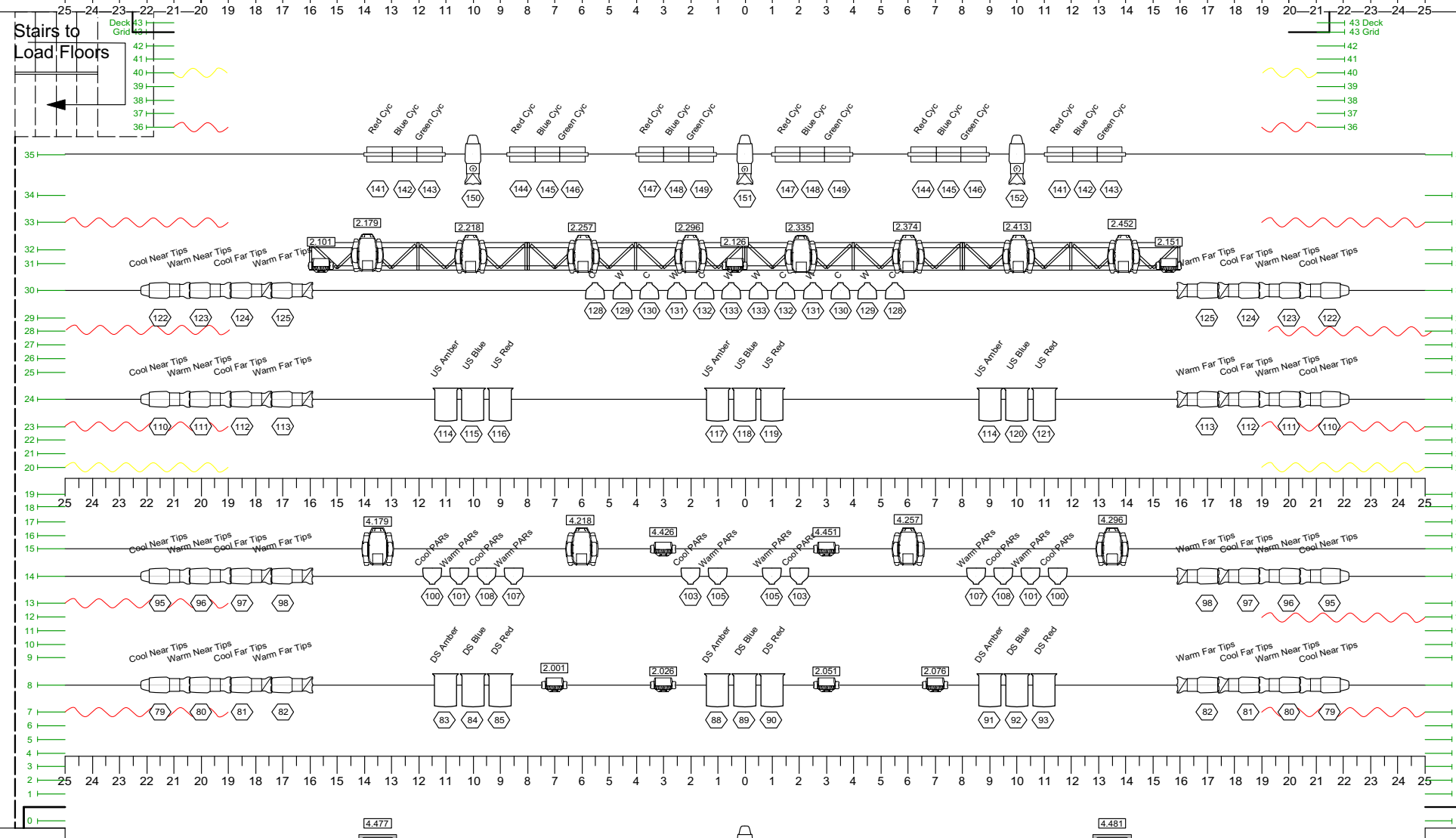


Upstage Plaster Line	30'-0"
Cyclorama	29'-3"
Rear Projection Screen (Black)	28'-9"
#3 Traveller Does not move	27'-0"
Spare	27'-3"
Scrim	26'-9"
#5 Border	26'-3"
#6 Leg	25'-9"
#5 Electric Does not move	24'-9"
#5 Border	23'-3"
#5 Leg	22'-3"
Moving Light Truss	21'-3"
Moving Light Truss	20'-9"
#4 Electric Does not move	19'-9"
Spare	18'-3"
#4 Legs	18'-3"
Spare	17'-9"
#4 Border	17'-3"
Spare	16'-9"
#3 Electric Does not move	15'-9"
#3 Legs	14'-9"
#3 Border	14'-9"
Spare	13'-9"
#1 Traveller Does not move	13'-3"
Spare	12'-3"
Spare	11'-9"
Spare	11'-3"
Spare	10'-9"
#2.5 Electric Does not move	10'-3"
#2 Electric Does not move	9'-3"
#2 Legs SR	8'-3"
#2 Legs SL	7'-9"
#2 Border	7'-3"
Spare	6'-9"
Spare	6'-3"
#1 Electric Does not move	5'-3"
#1 Leg	4'-3"
#1 Border	3'-9"
Full Black Reveal	3'-3"
Spare	2'-9"
Spare	2'-3"
Main Curtain	1'-9"
Downstage Fire Curtain	0'-3"
Downstage Plaster Line	0'-0"

Fly Floor

Stairs to Load Floors



LX 5 16 Circuits

ML Truss
LX 4 15 Circuits

LX 3 12 Circuits

LX 2.5
LX 2 15 Circuits

LX 1 16 Circuits

Bridge (Bottom Pipe)
29 Circuits total

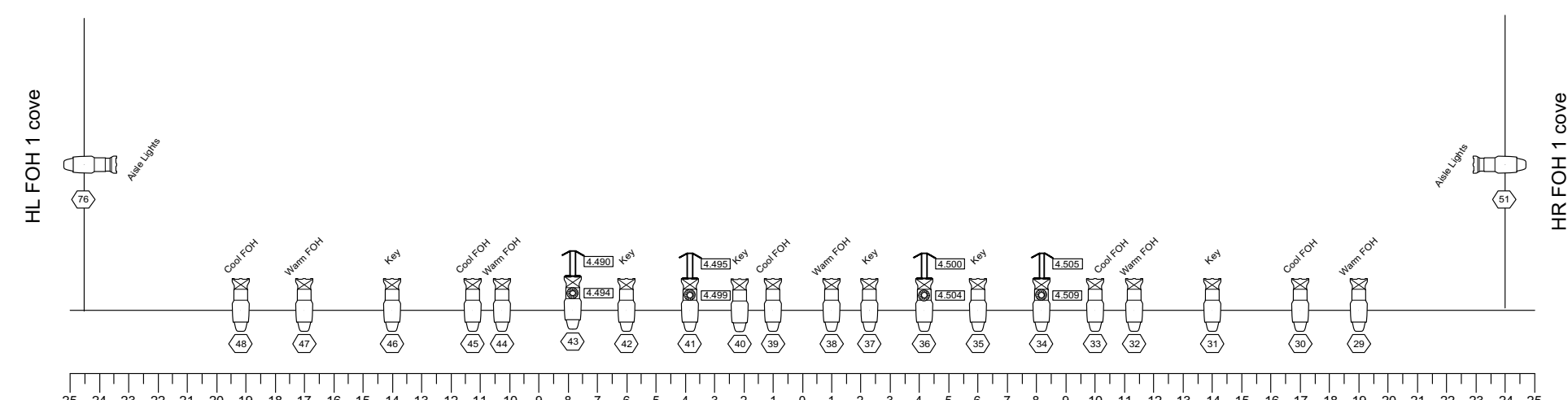
Bridge (Top Pipe)

Note: Bridge top pipe is Directly over the Bridge bottom pipe.

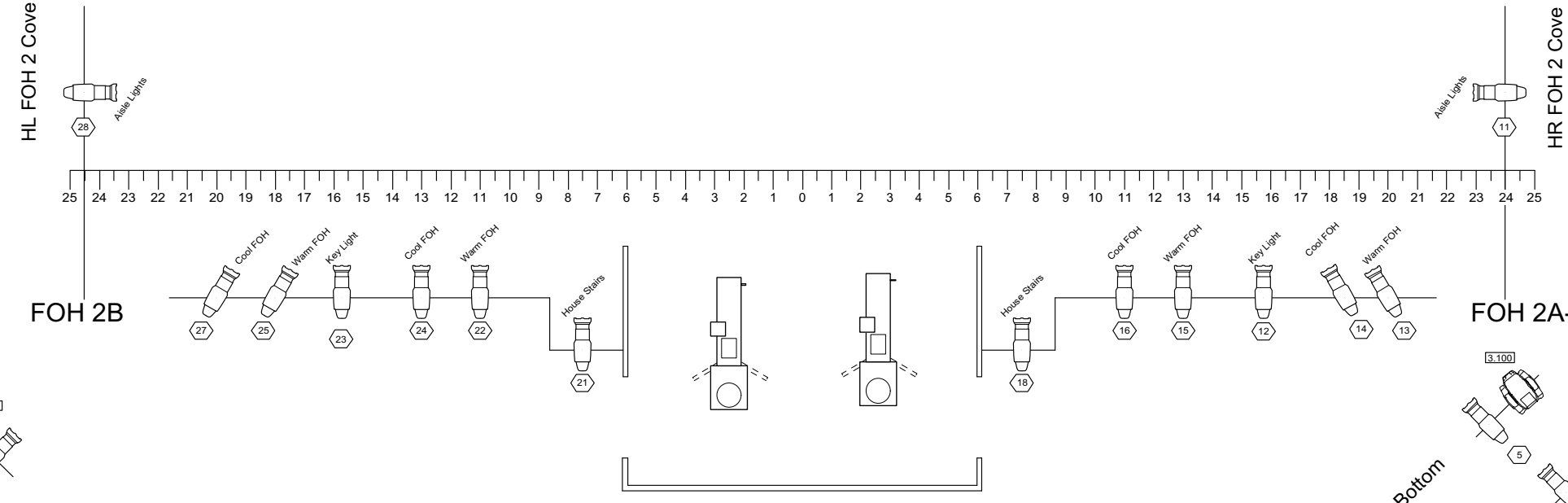
Revised May 2021

Instruments in House Plot	Used
Lycian M2	2
Source 4 19deg	20
Source 4 26deg	17
Source 4 36deg	24
Source 4 50deg	3
Source 4 Zoom 15°-30°	22
Source 4 Zoom 25°-50°	6
Rama 7° Fresnel	18
S4 PAR WFL	24
CCT Far Cyc 3 Cells	6
ColorForce 48	3
Atomic 3000 Strobe	2
MAC Aura (Hung)	9
Mistral TC Profile	14
Accessories	Used
DMX Iris	5
I-Cue	5
B-Size Template Holder	3

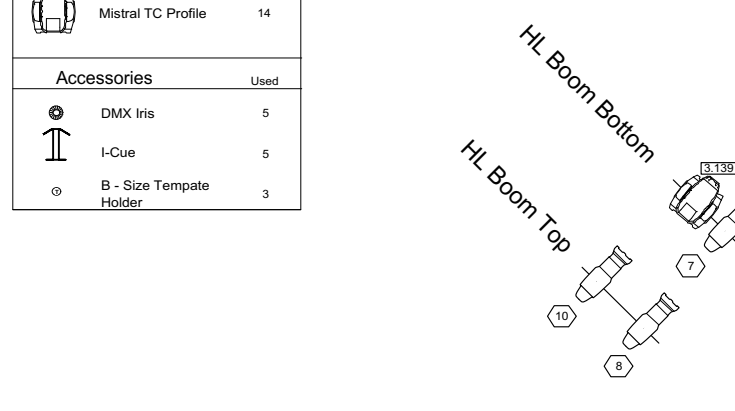
Additional Stock	Available
Source 4 Fixture	42
19deg lens tube	7
26deg lens tube	15
36deg lens tube	22
50deg lens tube	17
90deg lens tube	1
Source 4 Zoom 15°-30°	4
Source 4 Zoom 25°-50°	2
Rama 7° Fresnel	12
CCT Far Cyc 3 Cells	2
ColorForce 48	7
Mistral TC Profile	2
Accessories	Available
Iris Kits	12
B-Size Template Holder	24
A-Size Template Holder	2



FOH 1 20 Circuits



FOH 2A-1 15 Circuits (11-25, 27-28)



HL Boom Top 10 Circuits (1-5 HR, 6-10 HL)